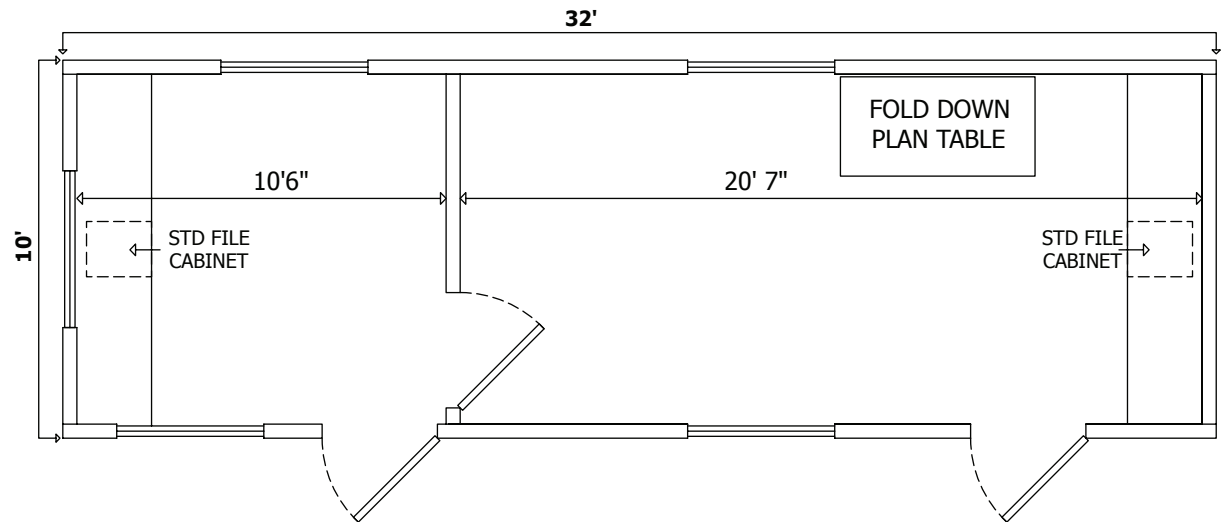


- 320 square feet of office space includes one private office and a spacious open area that provides generous office space for up to four people.
- Two integrated work stations with desktop and file cabinets as well as one plan table.
- Completely insulated and includes a heating and air conditioning system for a comfortable work environment.
- Vinyl floors offer a near maintenance free office building.
- Upgraded interior wall coverings and decorative wood siding for a professional appearance.



Note: Dimensions, and door & window locations shown are nominal. Actual dimensions, layout, and roof slope may vary depending on model or model year selected.

Call Your Local Sales
Professional

866.889.7777

10' x 32' Mobile Office Building

Delivered ready to use "On Time and On Budget"

 **Design Space**
MODULAR BUILDINGS
From Vision to Reality | On Time and On Budget

www.DesignSpaceModular.com